

Coursing Units



Coursing units are produced from the same material and are suitable for all the same applications as conventional size Celcon Blocks, allowing consistency within the building fabric.

They are suitable for use both externally and internally in load-bearing and non load-bearing situations.

Load-bearing walls should not be constructed of Coursing Units as the only masonry unit.

Applications

- Protect against cold bridging
- Infill above doors and windows
- Coursing at floor and ceiling level
- Making up between joists



Coursing Units





Coursing Units

Face size	Coursing Units 215mm x 65mm		
	100	140	150
Unit Thickness (mm)	100	140	150
Standard Coursing Unit Weight (kg) [†]	1.1	1.5	1.6
High Strength Coursing Unit Weight (kg) [†]	1.5	2.0	2.1
Super Strength Coursing Unit Weight (kg) [†]	1.5	2.0	2.1

[†] Block weights at typical moisture content when laid. (Some manufacturers may quote weights which have not allowed for this.)

	Standard Grade	High Strength Grade	Super Strength Grade
Compressive Strength	3.6N/mm ²	7.3N/mm ²	8.7N/mm ²

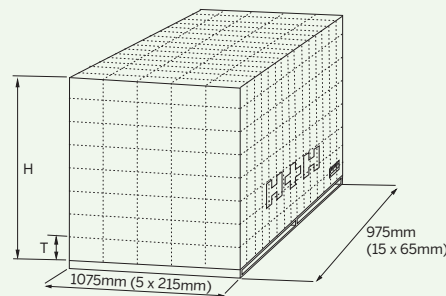
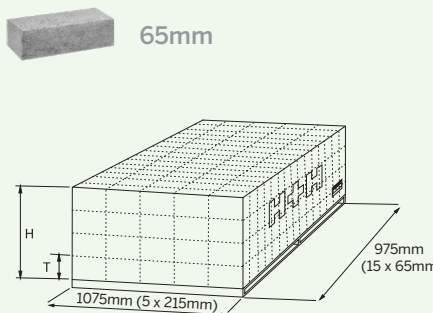
All shaded areas indicate that the product is a stock item. Other sizes can be made to order subject to minimum quantities.

Pack Information

Block Thickness (mm) = T	75	100	140	150	200	215	275	300	355
Coverage per pack (m ²) – 10mm joint	-	10.1	5.1	5.1	-	-	-	-	-
Coverage per pack (m ²) – 2mm joint	-	8.7	4.4	4.4	-	-	-	-	-
Number of blocks per pack	-	600	300	300	-	-	-	-	-
Pack height (mm) = H	-	800	560	600	-	-	-	-	-
Pack weight – Standard Grade (kg)*	-	645	455	485	-	-	-	-	-
Pack weight – High Strength/Super Strength (kg)*	-	870	610	650	-	-	-	-	-

Celcon Coursing Units (215mm x 65mm x 100mm)

* Pack weight excludes pallet



For further information and to check our most up-to-date product range, or to find your nearest stocking merchant, please visit our website www.hhcelcon.co.uk or contact the following departments:

Sales

For sales enquiries or to find your local stockist please contact
Tel: 01732 886444
Fax: 01732 887013

Technical

For technical enquiries please contact
Tel: 01732 880580
Fax: 01732 887013

H+H UK will always endeavour to reflect our product range and technical information as accurately as possible. We may however, need to update both from time to time during the life of this brochure. Please check with either our Sales or Technical departments to obtain the latest information prior to specification and purchase.

* Pack weight excludes pallet.